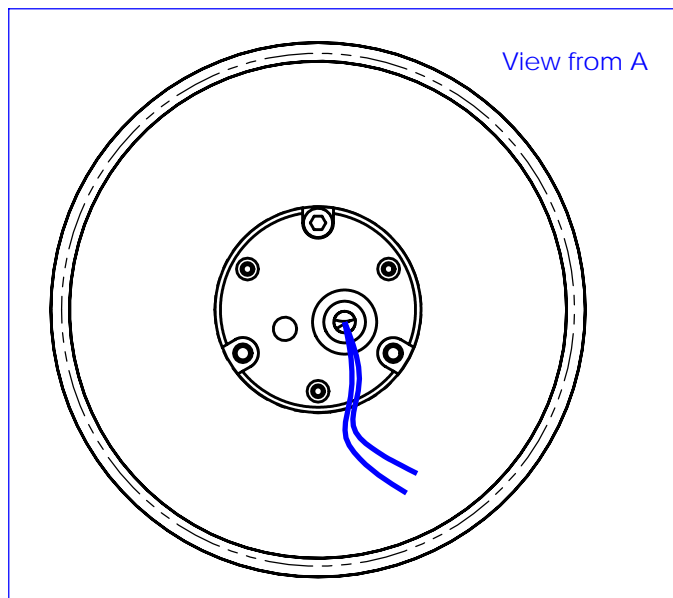
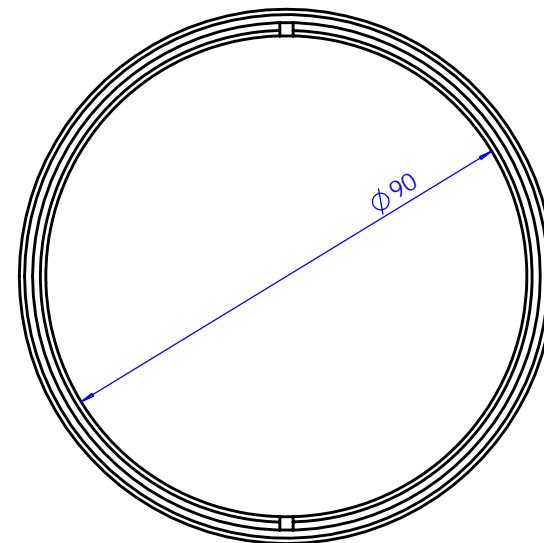
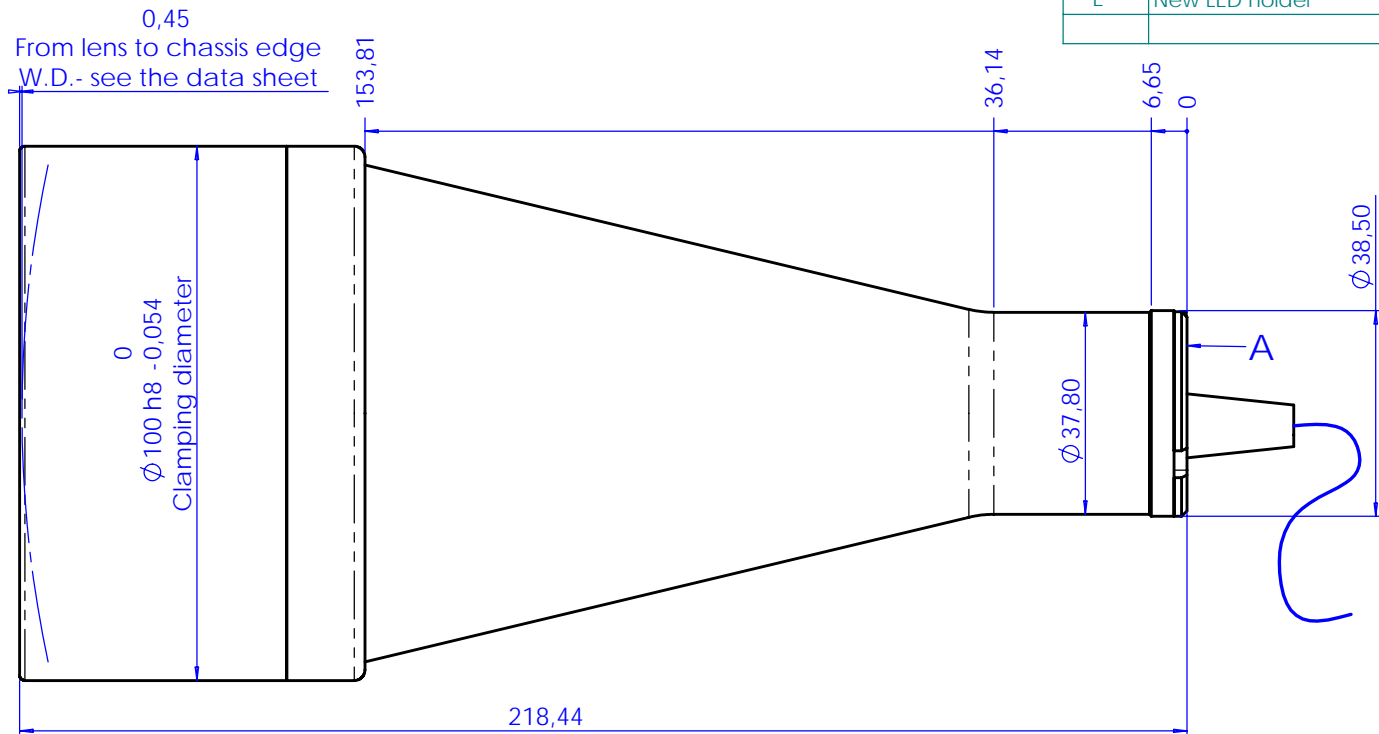


Rev No.	Description	Date	Name
D	First light	23/03/06	A.Vismara
E	New LED holder	10/05/08	A.Vismara



Material	N.A.			Mass	0.94 kg	Scale	1:1	
Surface treatment	N.A.			Project-Prod.Item/Instrument	LT CL 64			
Geometrical tolerance (ISO 2768-2)			Class	K	Undimensioned bevels	1x45°	Description	
Linear tolerance (ISO 2768-2)			Class	m				
0.5	>3-	>6-	>30-	>120	>400-	>1000	>2000	Assembly
+3	6	30	120	+400	1000	+2000	+4000	
±0.1	±0.1	±0.2	±0.3	±0.5	±0.8	±1.2	±2	Undimensioned radii
www.opto-engineering.com			Date		Name		Drawing No.	Sheet
			Designed	10/05/08	A.Vismara		01275-0-E	1/1
			Draw	10/05/08	A.Vismara			
			Checked	X	C. Sedazzari			
Reproduction forbidden without specific authorization								